

DESIGN ARCHITECT

8fold

460 WEST 24TH STREET, 3E
NEW YORK | NEW YORK
STUDIO@8ANDFOLD.COM
TEL: 718-564-9663

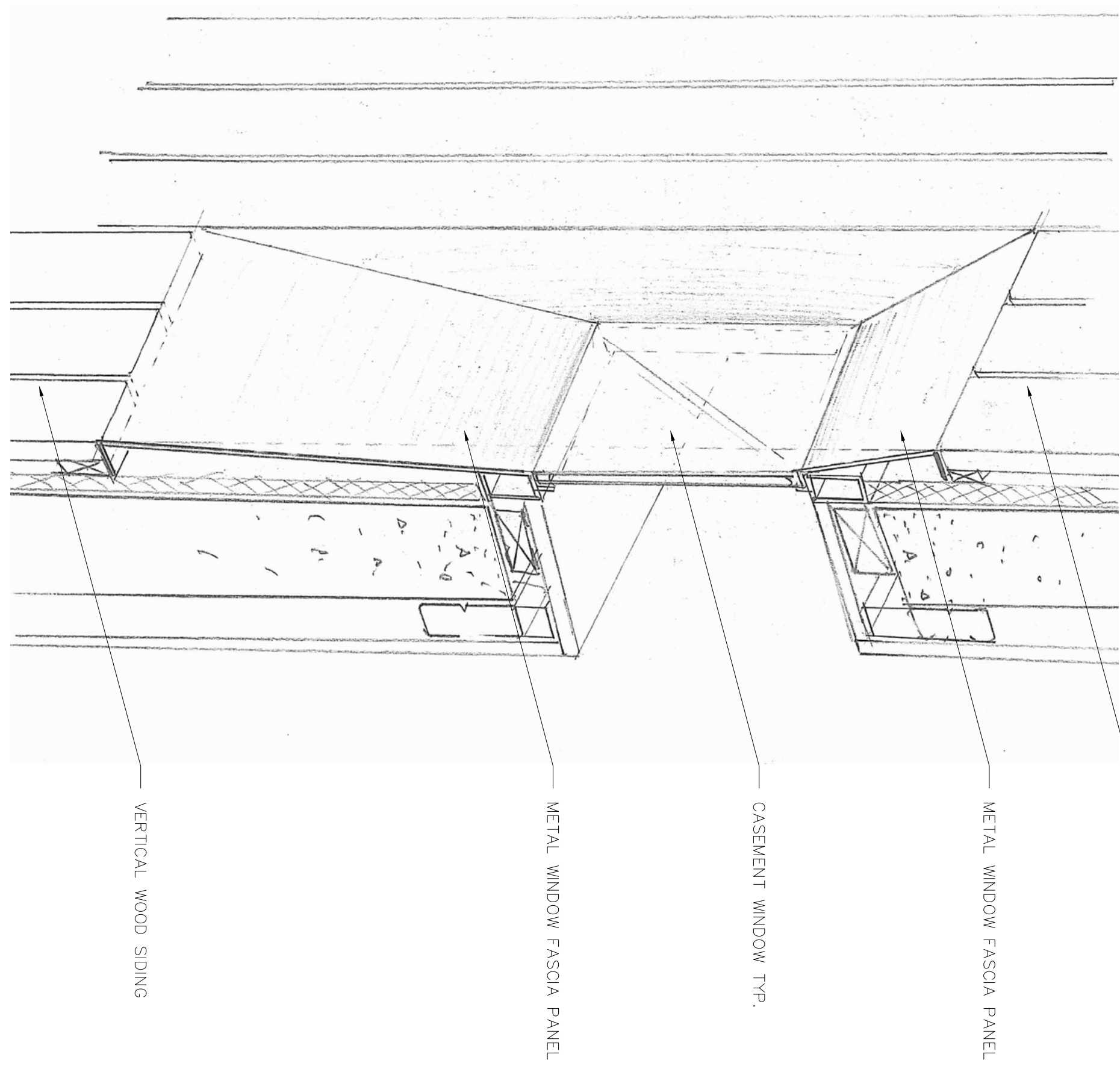
CONSULTING ARCHITECT

KIER B. LEVESQUE ARCHITECT

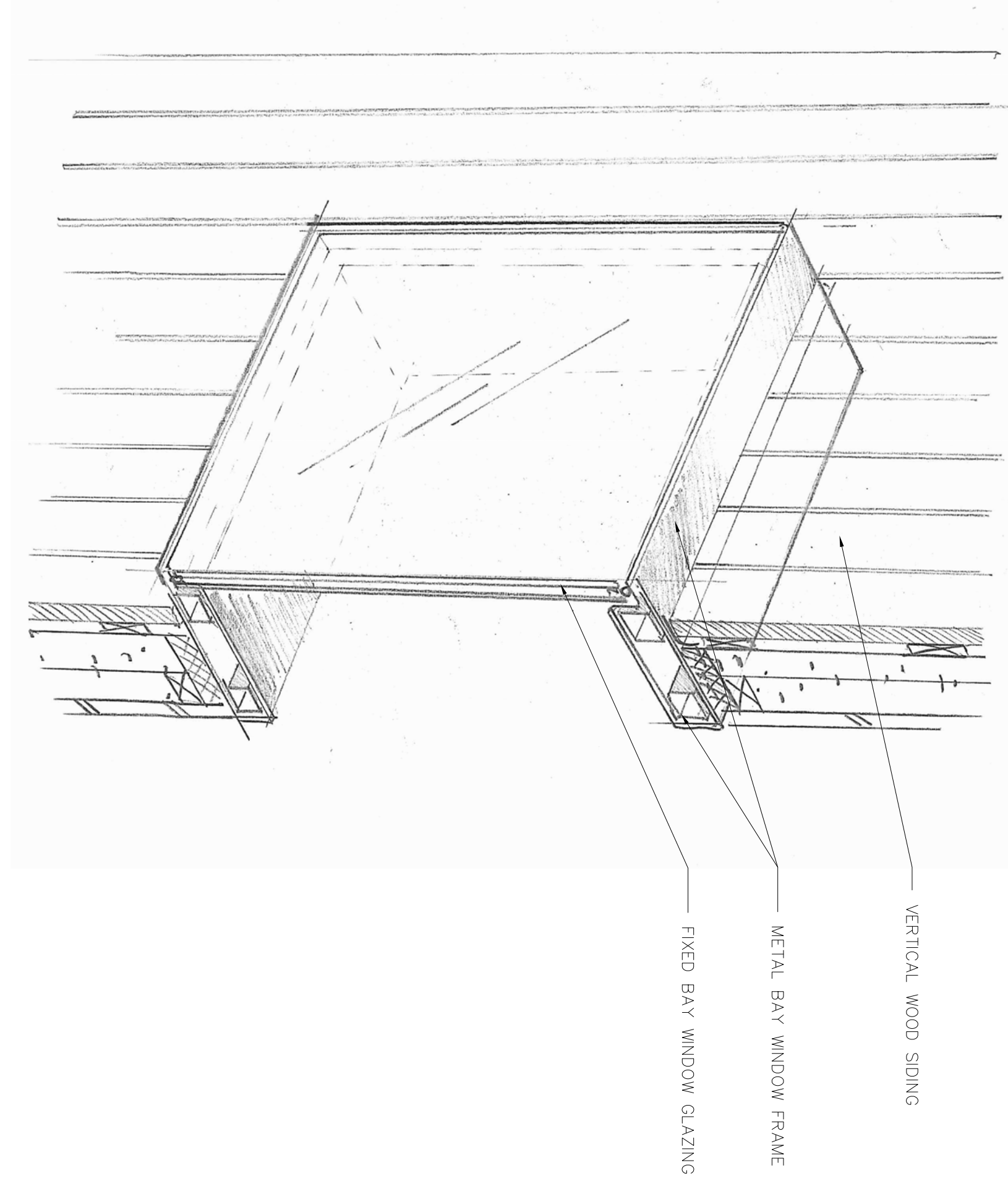
NY LICENSE # 15938

49 THIRD AVENUE
NYACK | NEW YORK
KBLEVESQUE@PTONLINE.NET
TEL: 945-358-2359

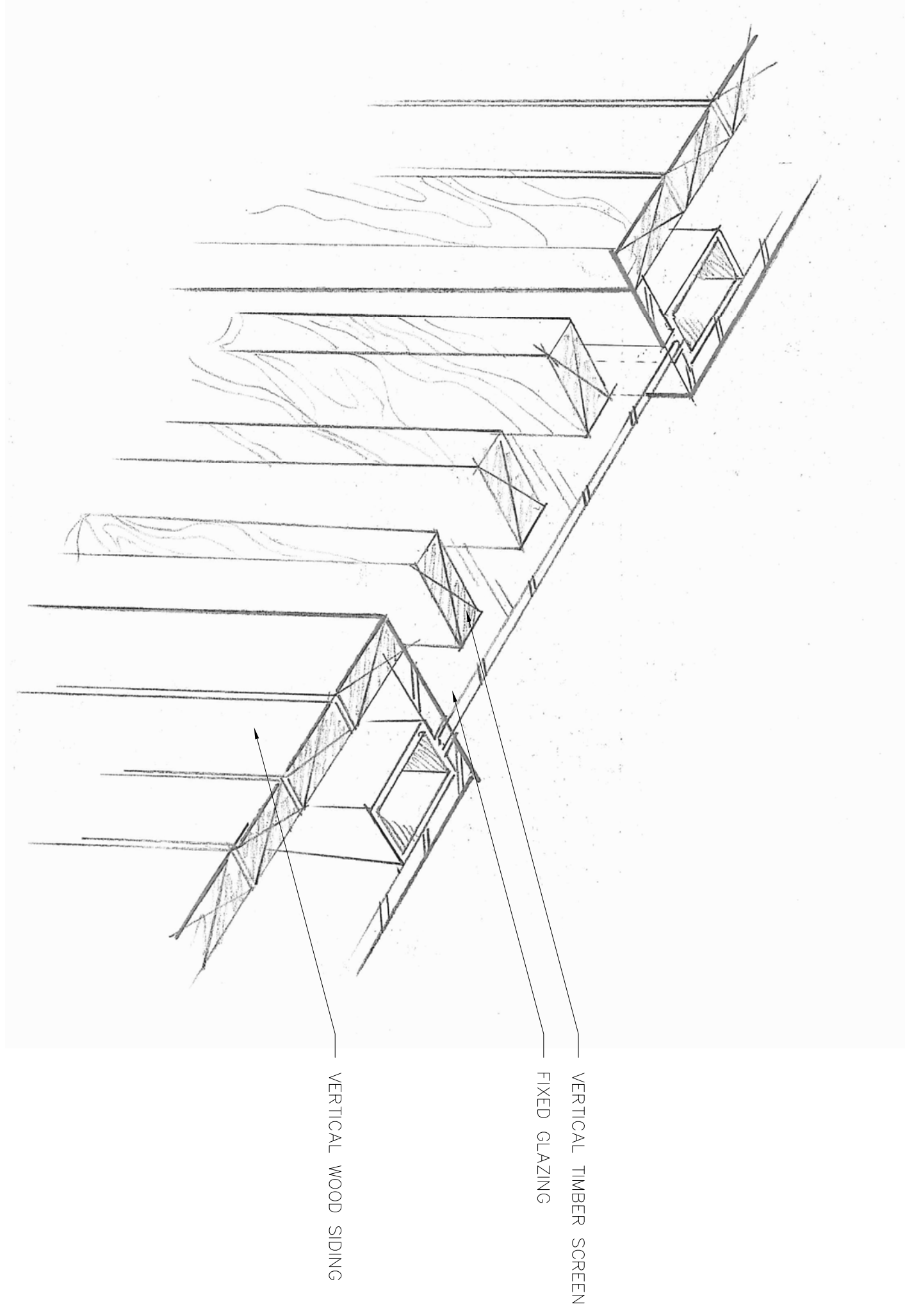
GENERAL NOTES



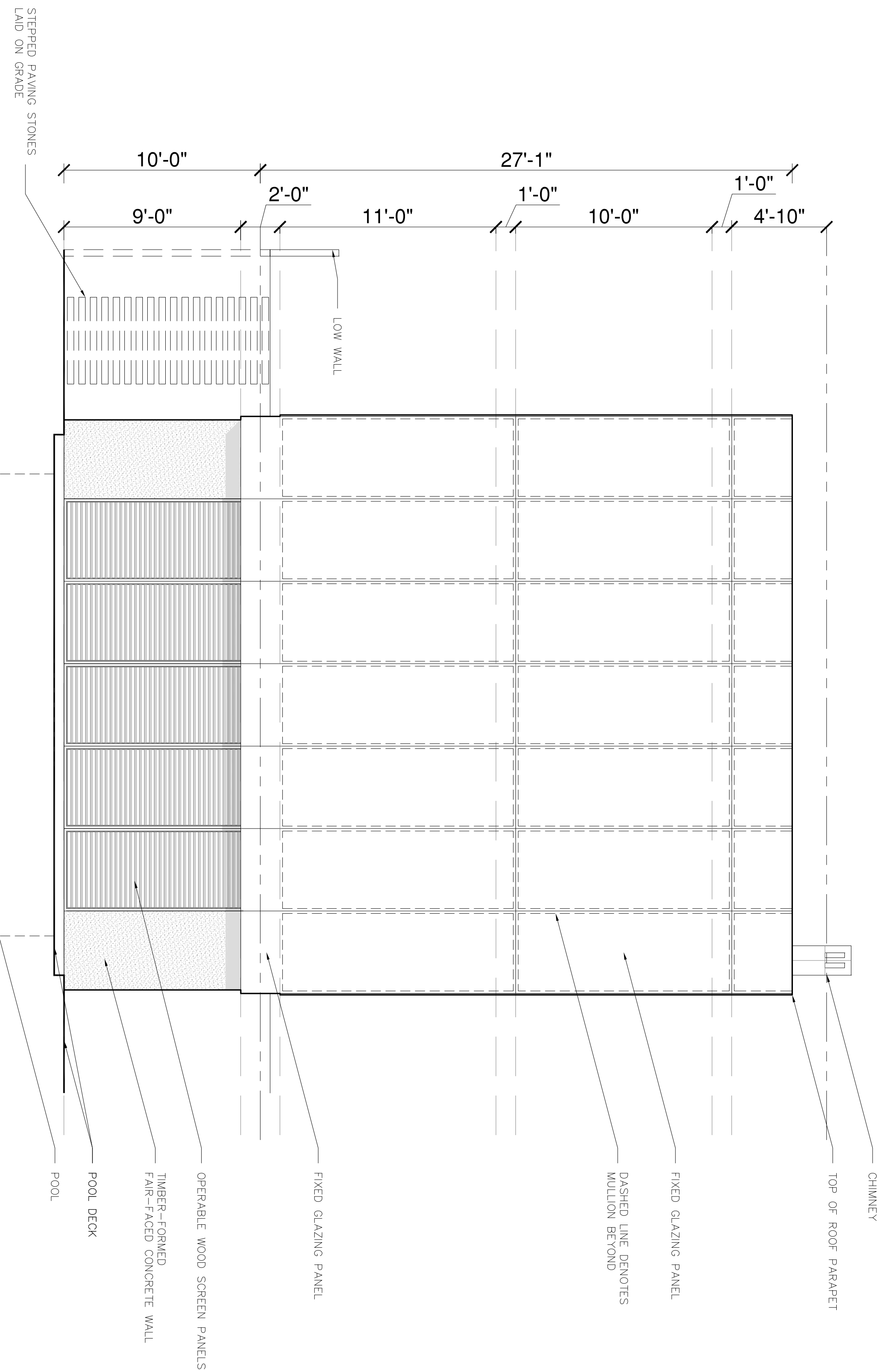
5 DETAIL - SLOT WINDOW
N.T.S.



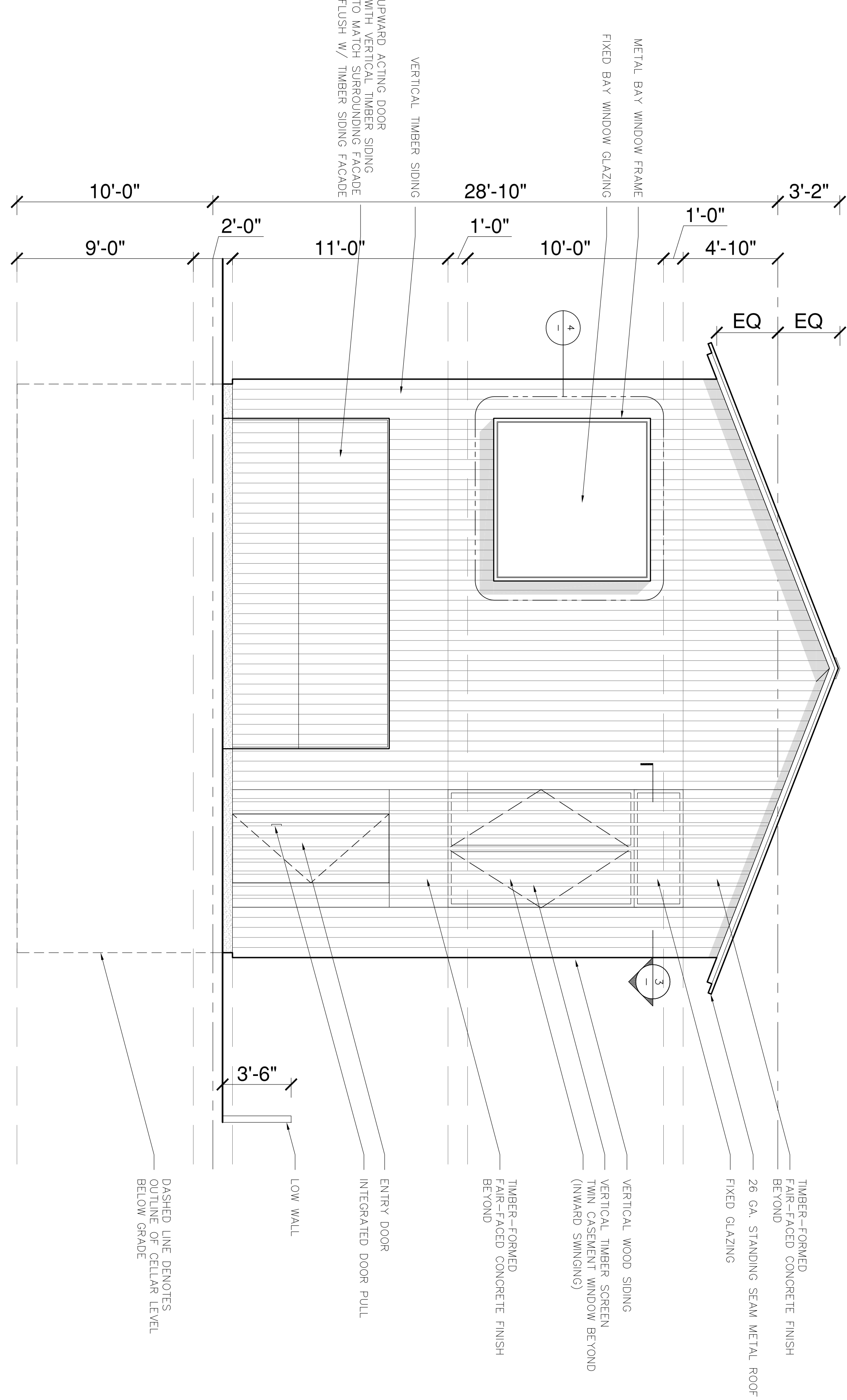
4 DETAIL - BAY WINDOW
N.T.S.



3 DETAIL - VERTICAL TIMBER SCREEN
N.T.S.



2 EAST ELEVATION
SCALE: 1/4" = 1' - 0"



1 WEST ELEVATION
SCALE: 1/4" = 1' - 0"

ISSUE NO. / DESCRIPTION / DATE
PROJECT NO. 202108

GRAY RESIDENCE
87 PIERMONT AVENUE
NYACK, NY 10960

DRAWING NO. A-200.00
ELEVATIONS

SCALE AS SHOWN DATE AUG/21/2021
DRAWN BY CHECKED BY
&fold KBL