

DESIGN ARCHITECT

**8fold**

460 WEST 24TH STREET, 3E  
NEW YORK | NEW YORK  
STUDIO@8FOLD.COM  
TEL: 718-564-9663

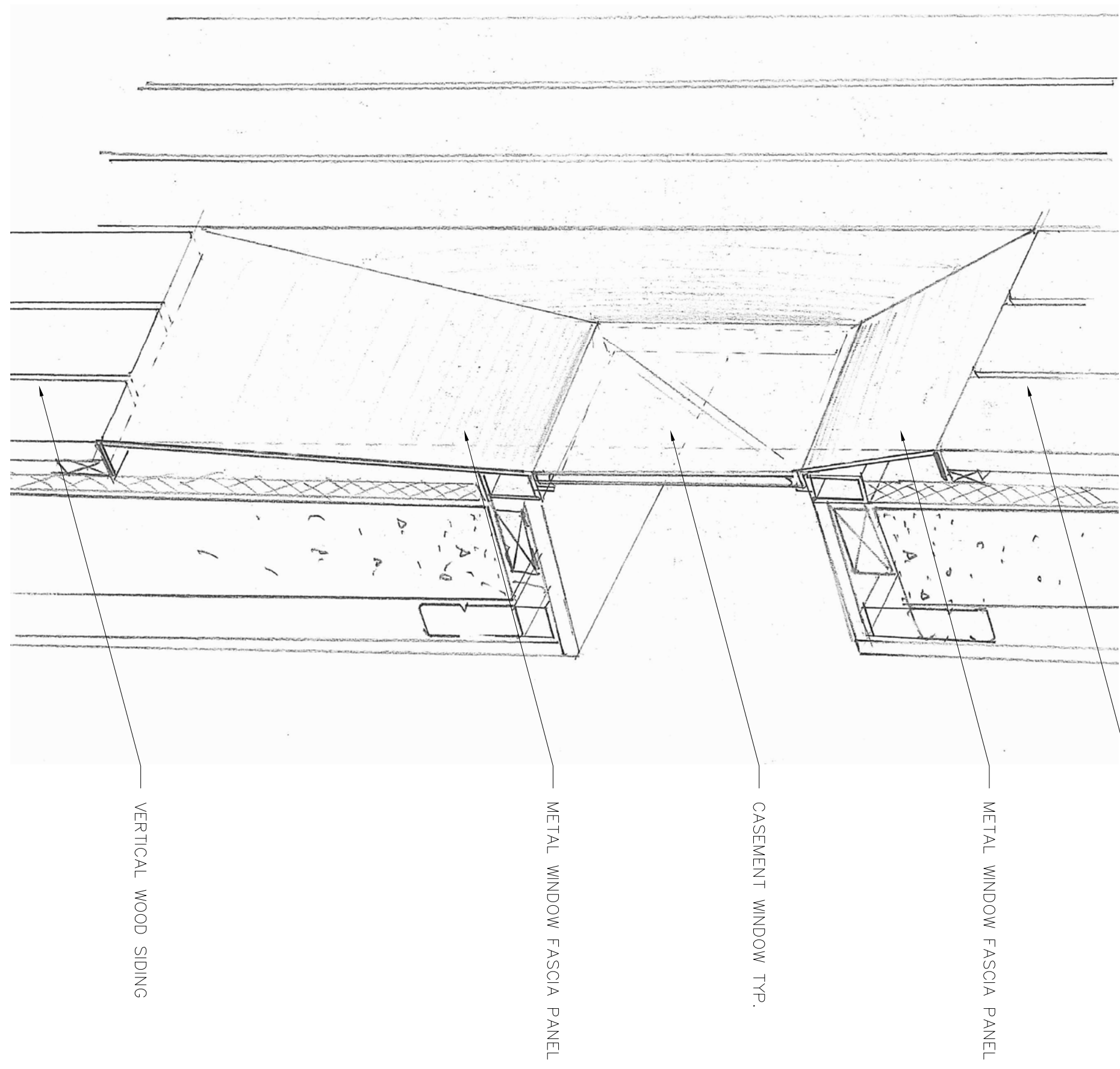
CONSULTING ARCHITECT

**KIER B. LEVESQUE ARCHITECT**

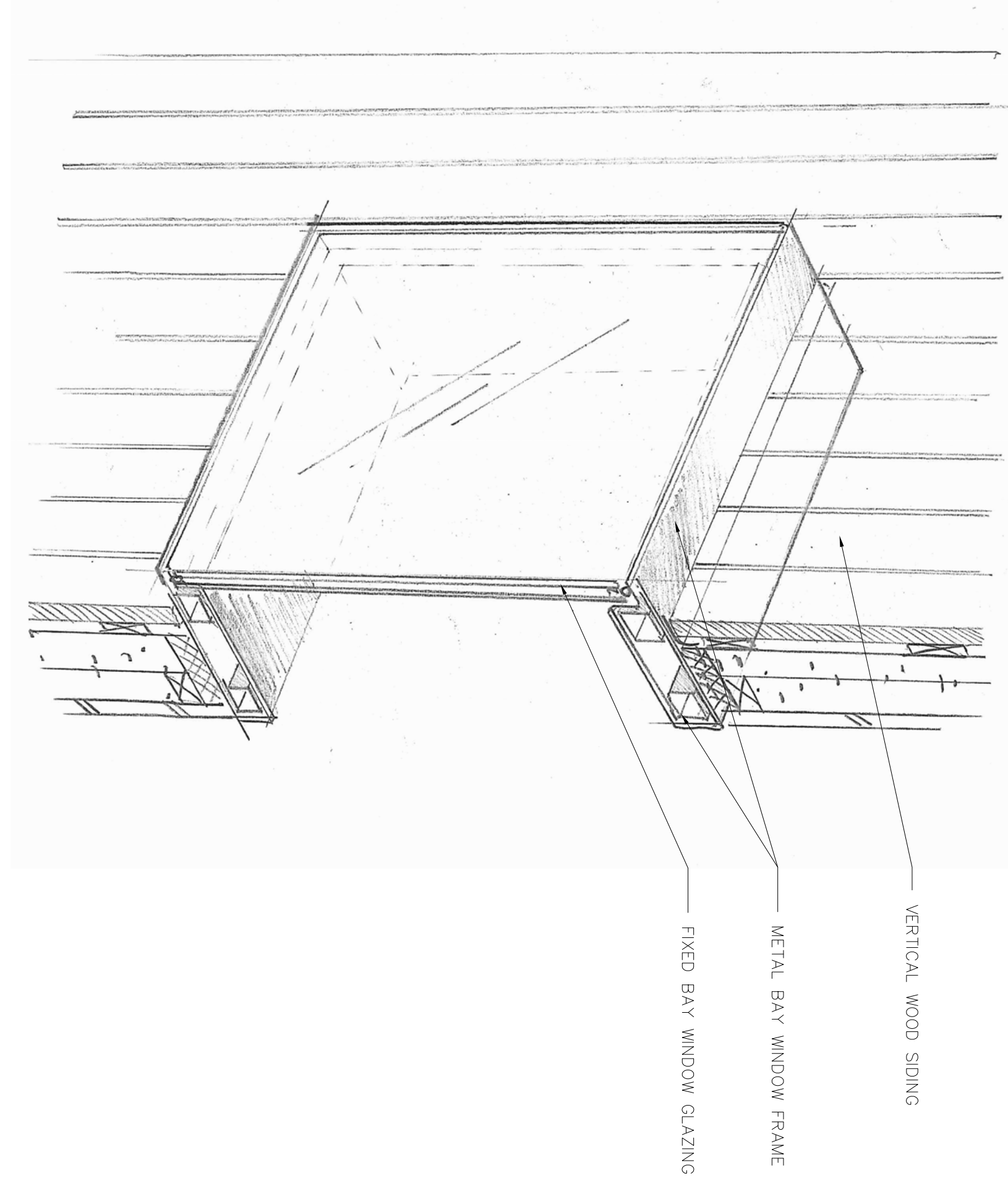
NY LICENSE # 15938

49 THIRD AVENUE  
NYACK | NEW YORK  
KBLEVESQUE@OPTONLINE.NET  
TEL: 845-358-2359

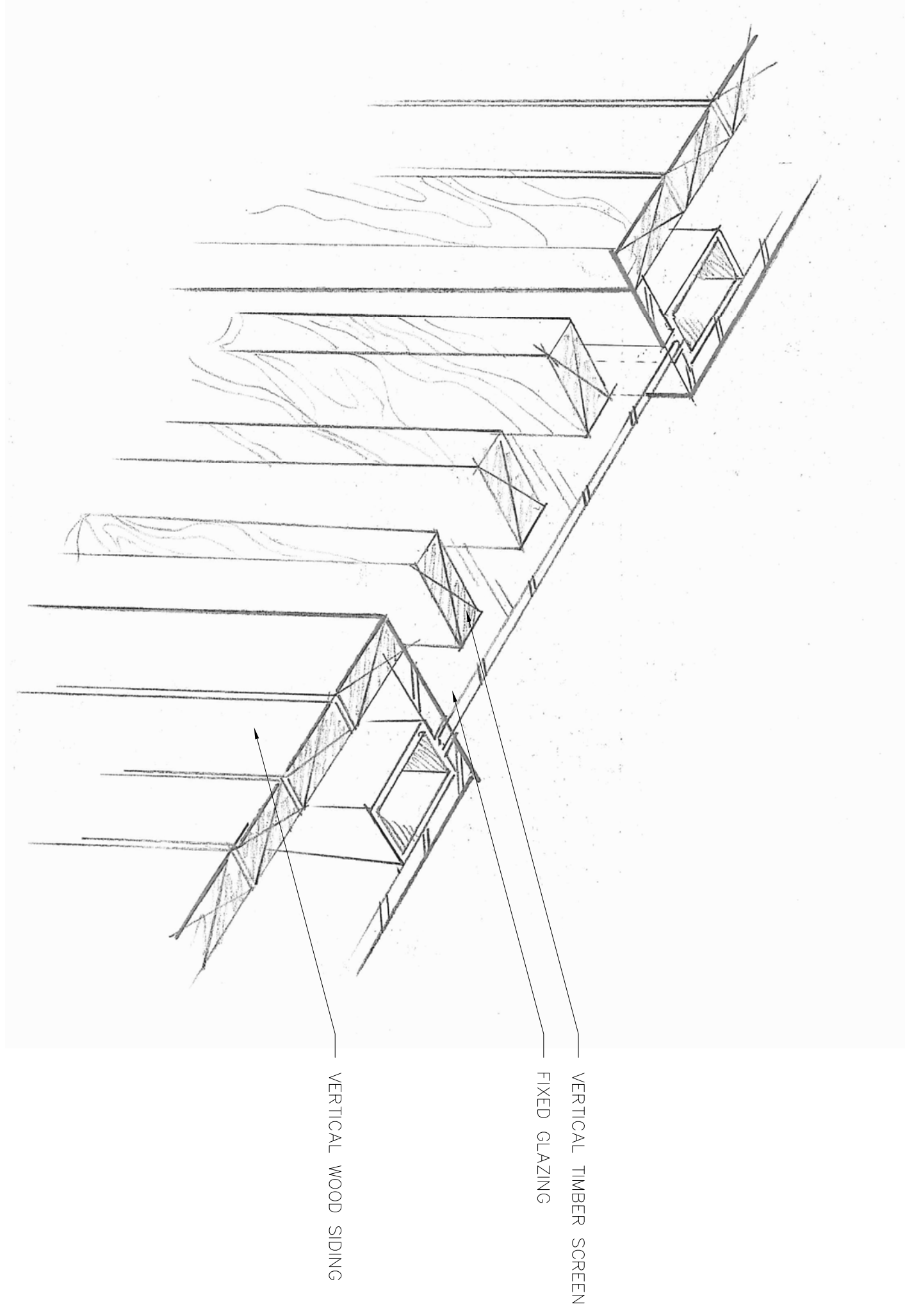
GENERAL NOTES



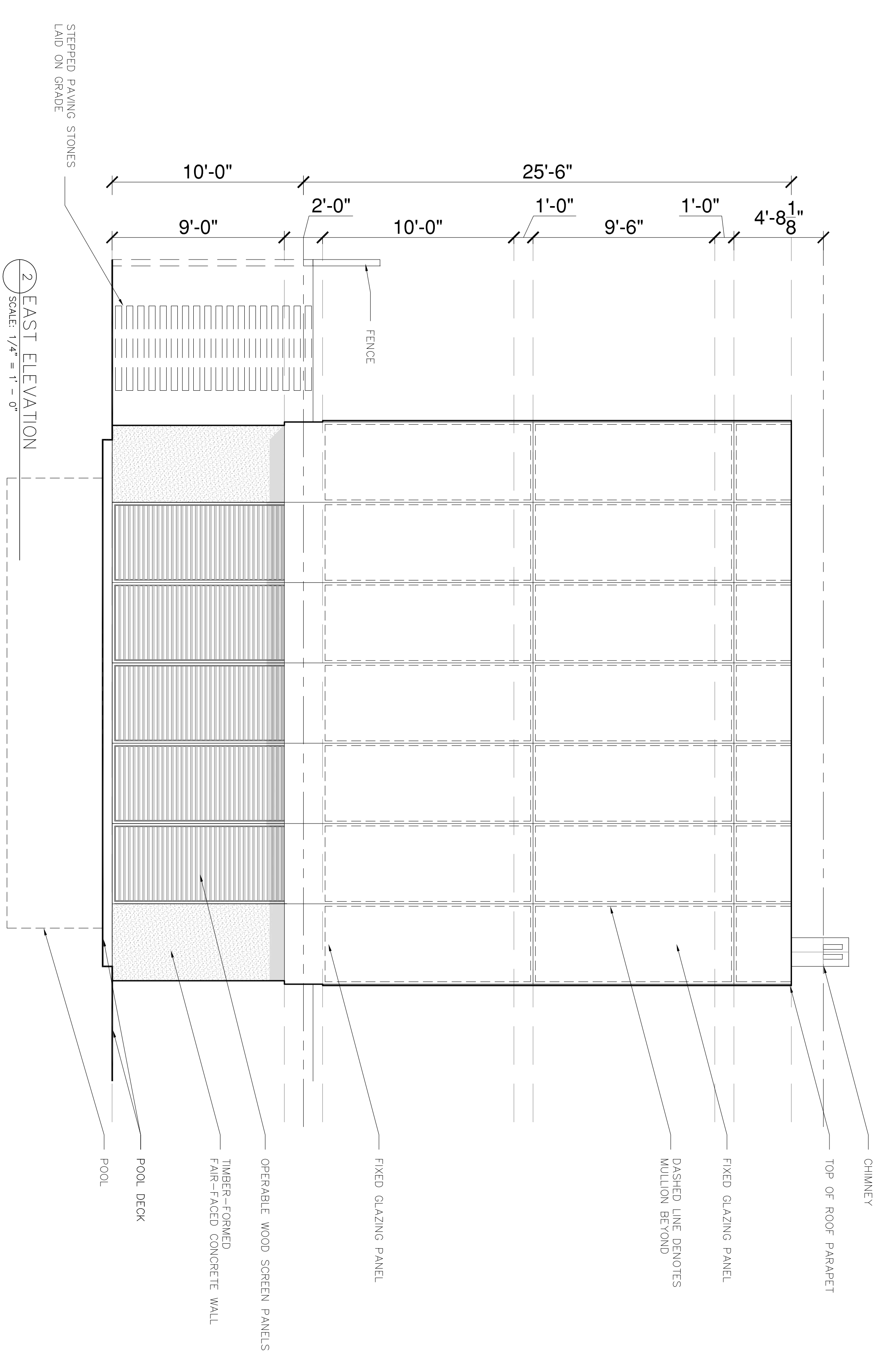
5 DETAIL - SLOT WINDOW  
N.T.S.



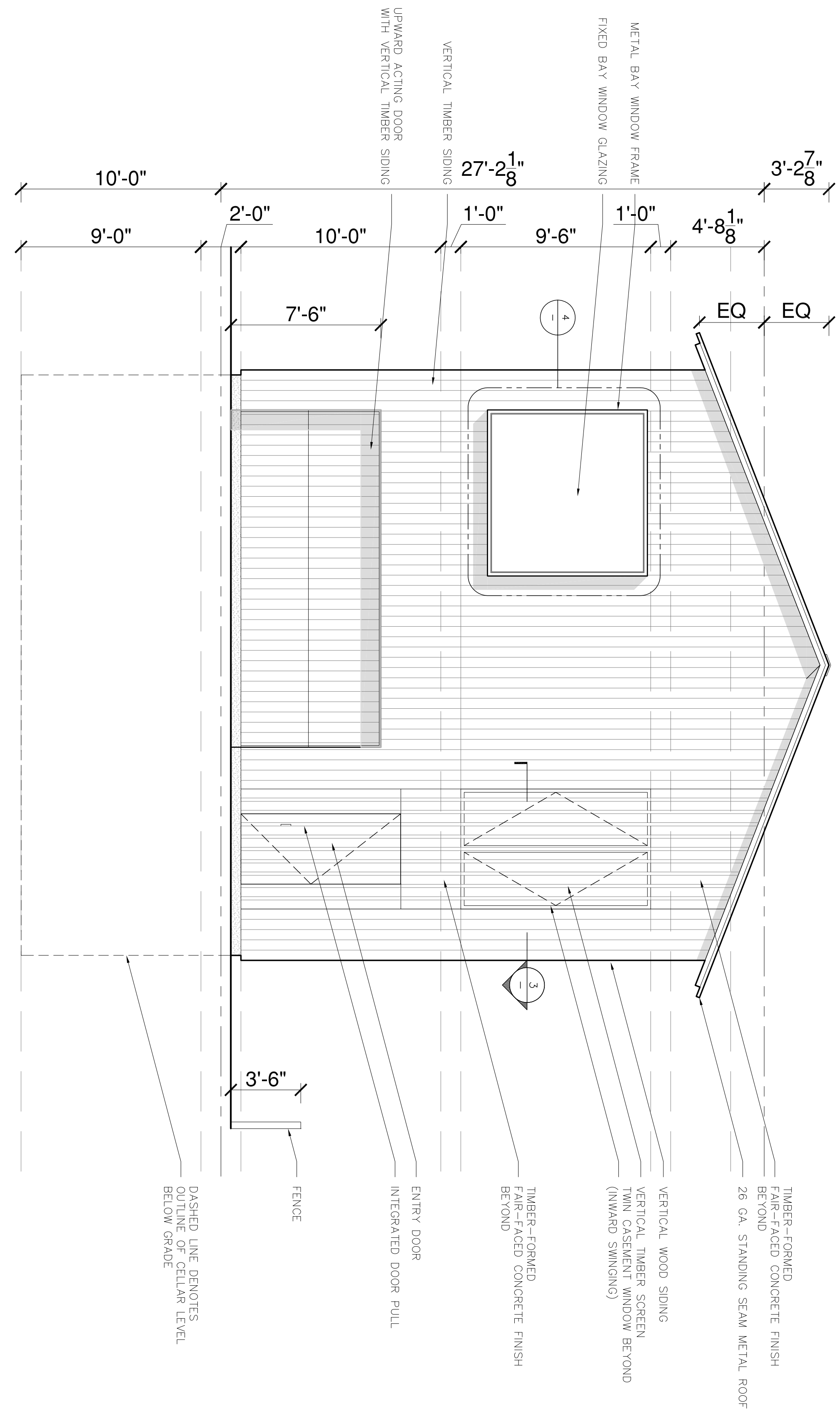
4 DETAIL - BAY WINDOW  
N.T.S.



3 DETAIL - VERTICAL TIMBER SCREEN  
N.T.S.



2 EAST ELEVATION  
SCALE: 1/4" = 1' - 0"



1 WEST ELEVATION  
SCALE: 1/4" = 1' - 0"

ISSUE NO. / DESCRIPTION / DATE  
PROJECT NO. 202108

GRAY RESIDENCE  
87 PERMONT AVENUE  
NYACK, NY 10960

DRAWING NO. A-200.00  
ELEVATIONS

SCALE AS SHOWN DATE AUG/21/2021  
DRAWN BY KBL CHECKED BY KBL