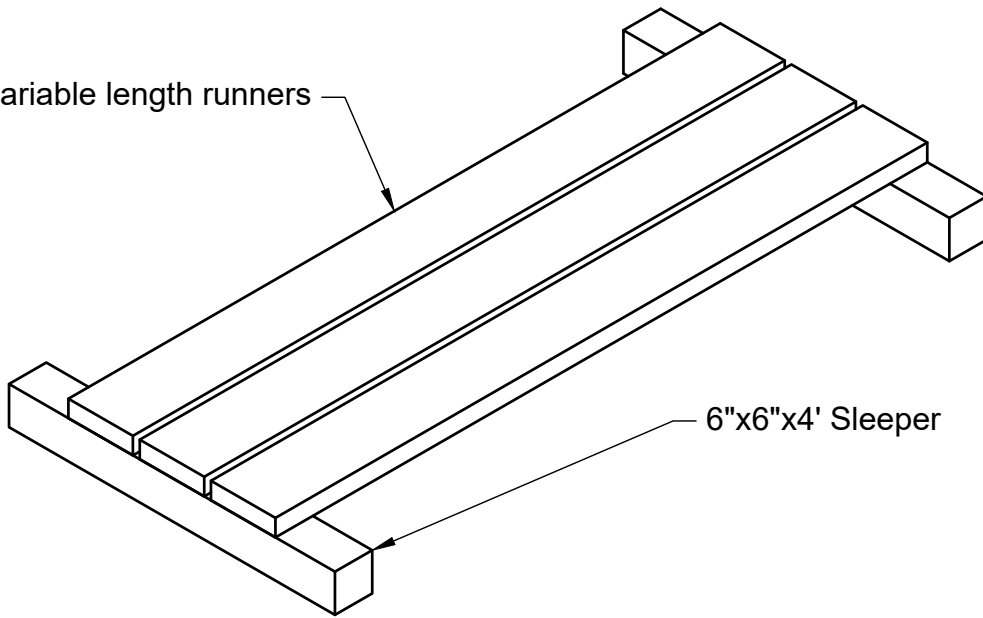
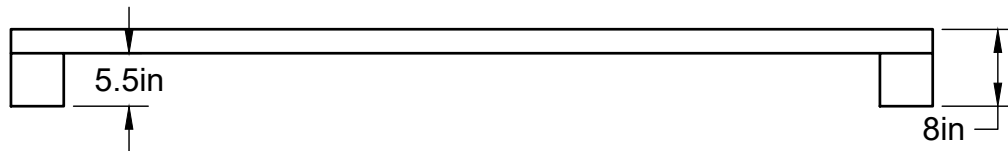
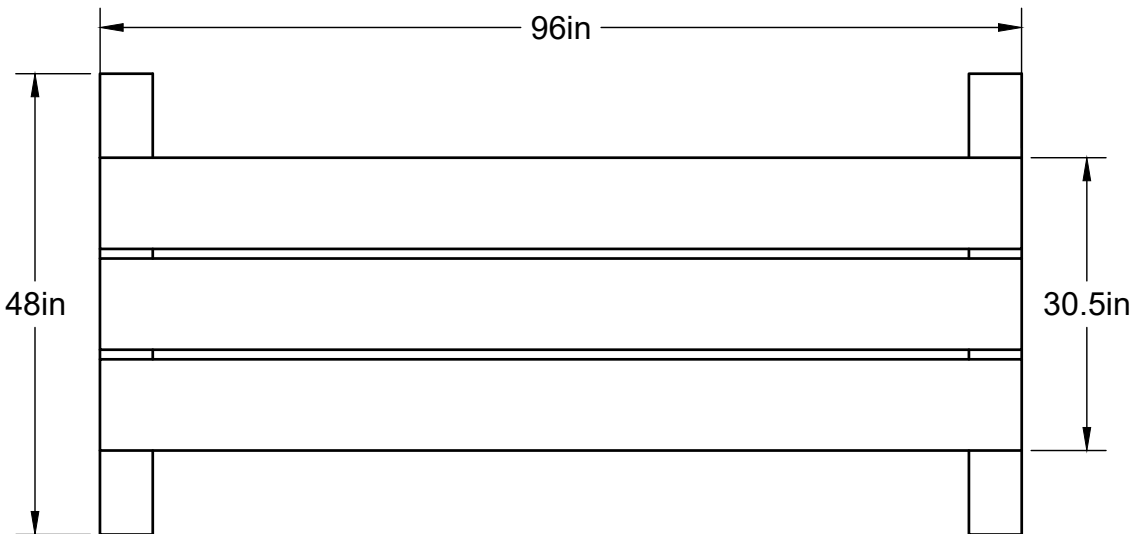


3"x10"x variable length runners



6"x6"x4' Sleeper



Notes:

- Use pressure treated lumber for sleepers
- Gap between runners maximum 1" for bike safety
- 4"x4" sleepers may be substituted in drier areas

PROJECT

CELT Boardwalks

TITLE

**Standard Boardwalk Segment
(variable length)**

APPROVED

SIZE

CODE

DWG NO

REV

CHECKED

A

DRAWN

Philip Mathieu

10/15/2020

SCALE 1:20

WEIGHT

SHEET 1/1